


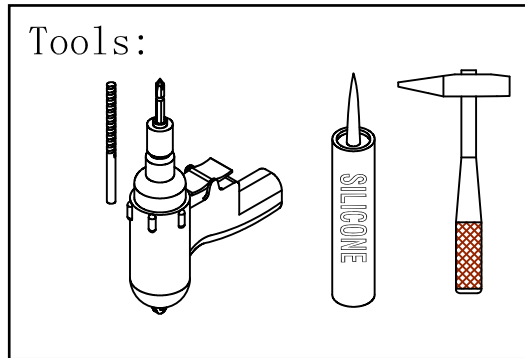
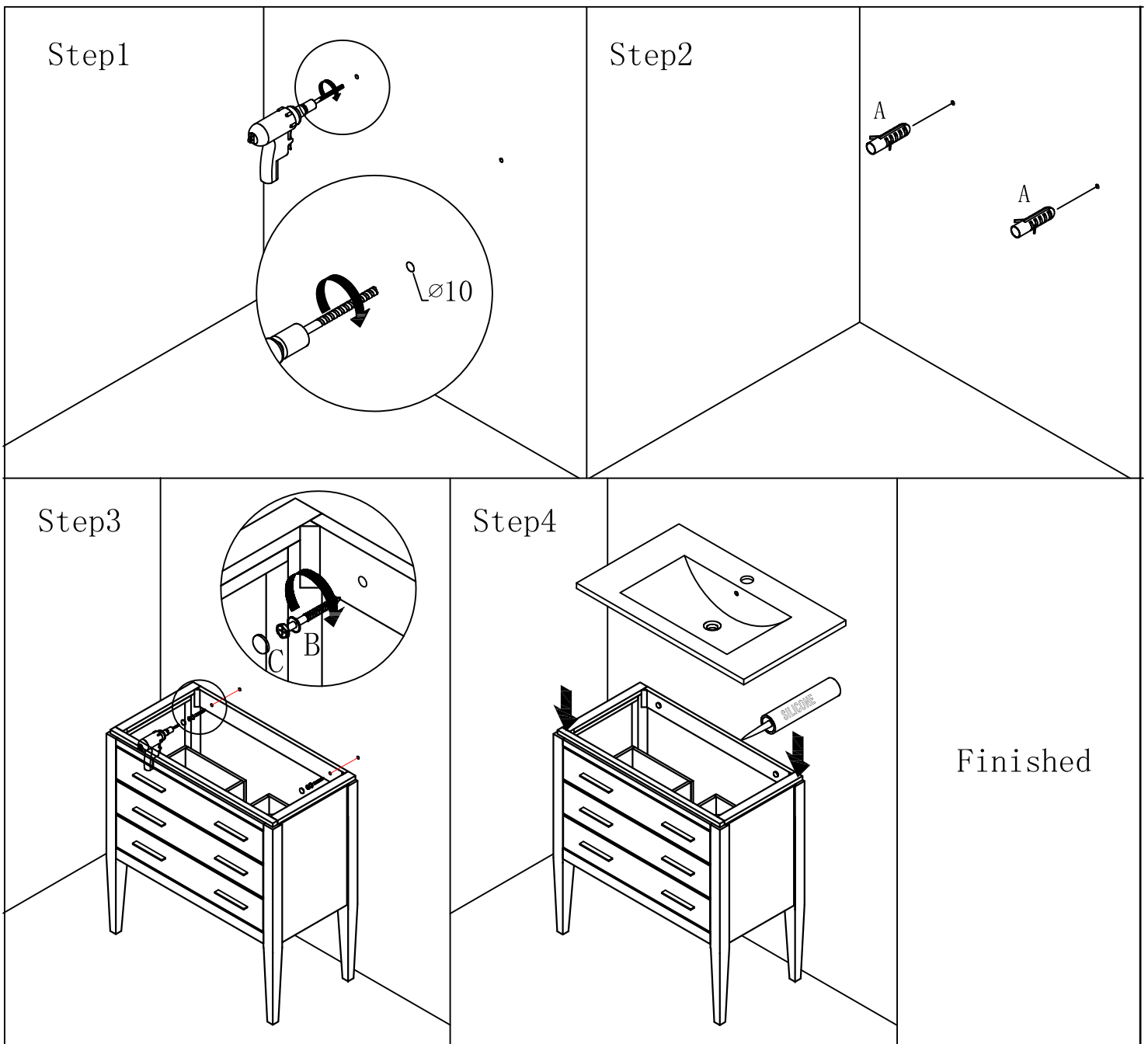



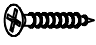
Hardware		
No.	Draw	Qty
A		2 PCS
B		2 PCS
C		2 PCS



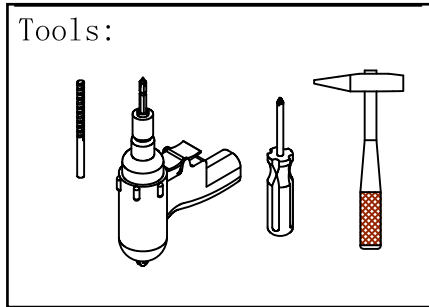
Size	mm	in
Width	748	29.45
Depth	458	18.03
Height	870	34.25



Hardware

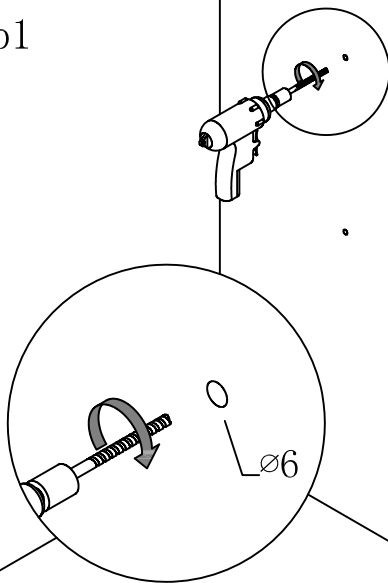
No.	Draw	Qty
A		4 PCS
B		4 PCS

Tools:

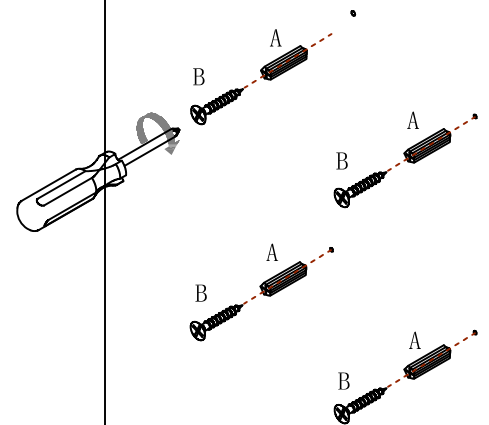


Size	mm	in
Width	650	25.59
Depth	24	0.94
Height	900	35.43

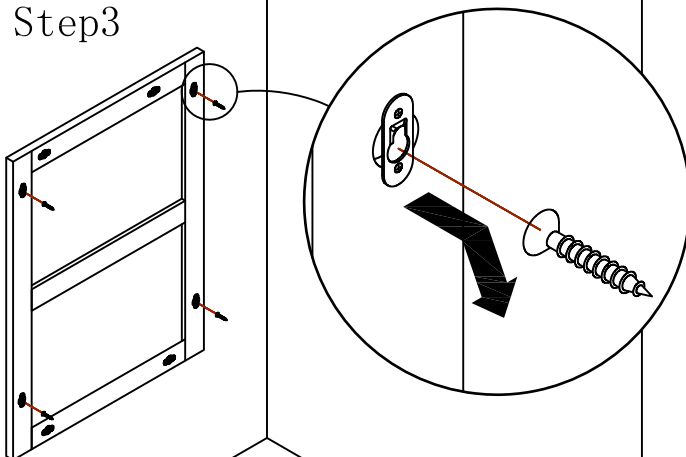
Step1



Step2



Step3



Finished

