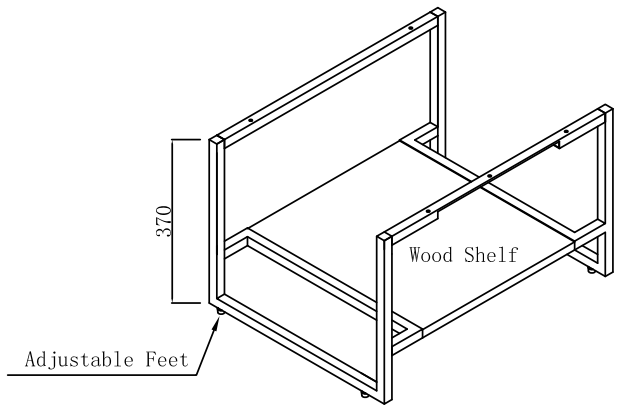
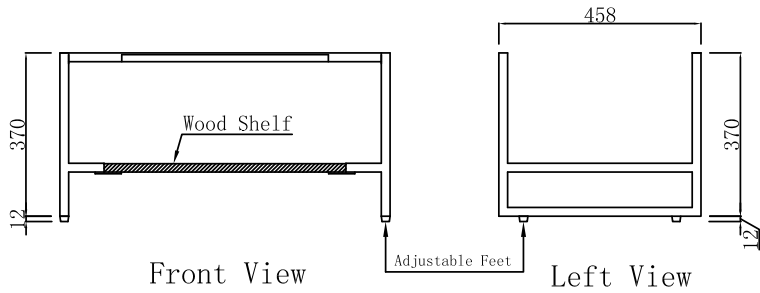
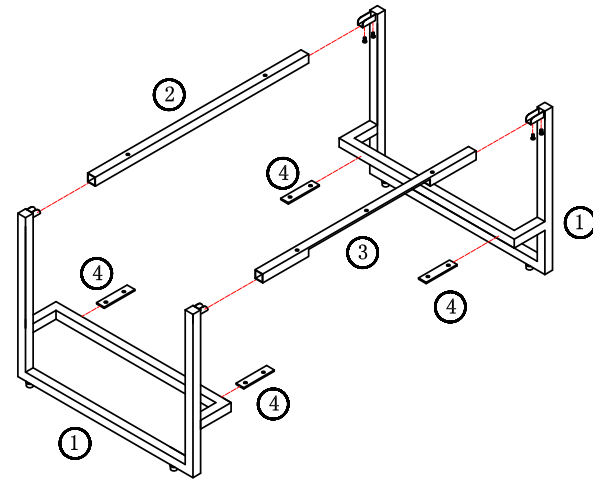


Installation Instructions

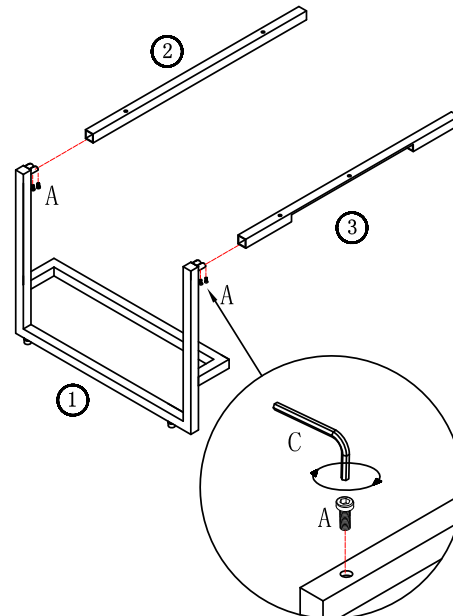
770-36Main Cabinet



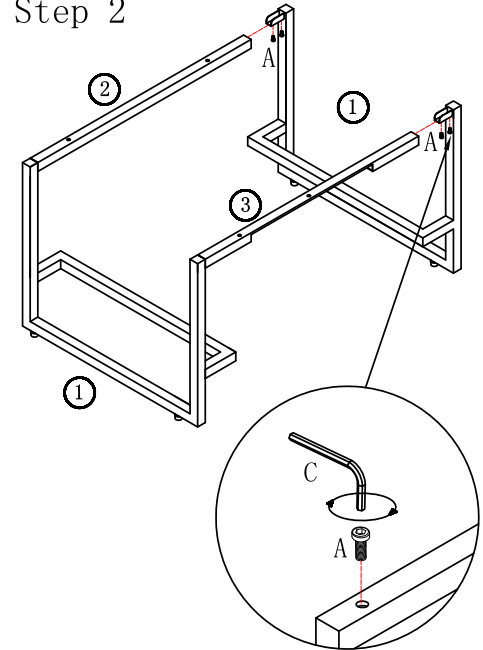
Assembly Drawing



Step 1



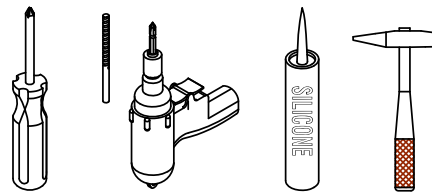
Step 2



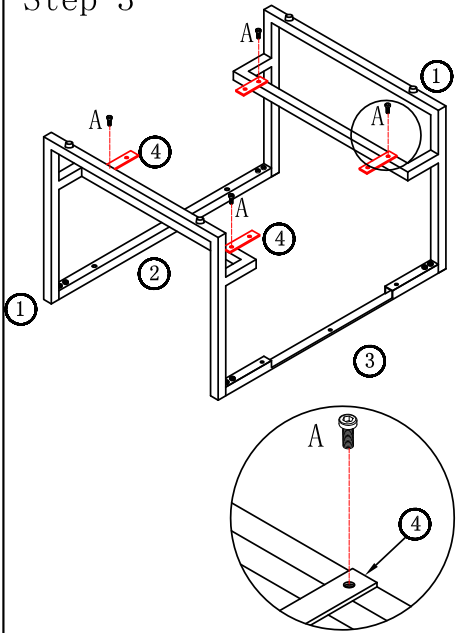
Hardware

NO.	Draw	QTY
A		12
B	(3.5*14)	9
C		1
D		2
E		2

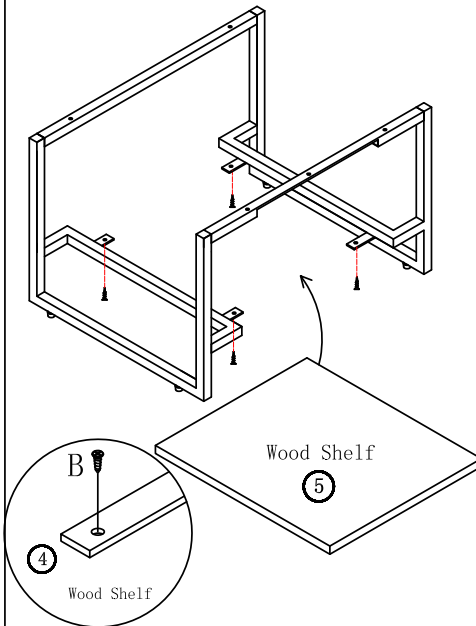
Tools



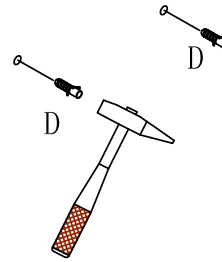
Step 3



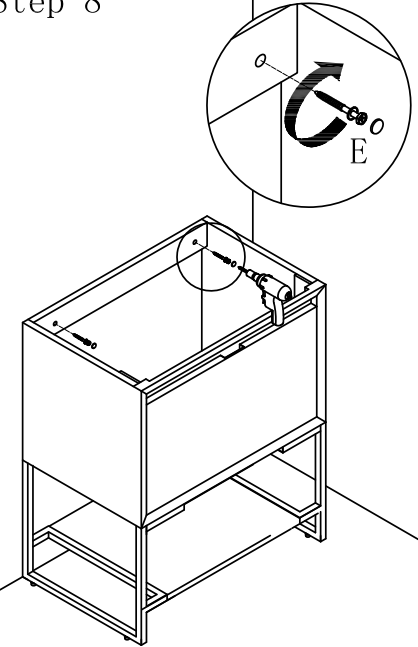
Step 4



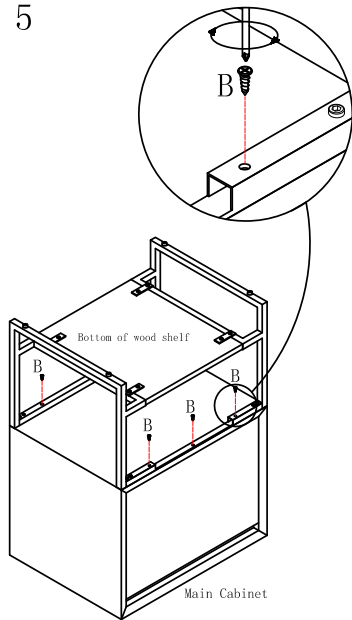
Step 7



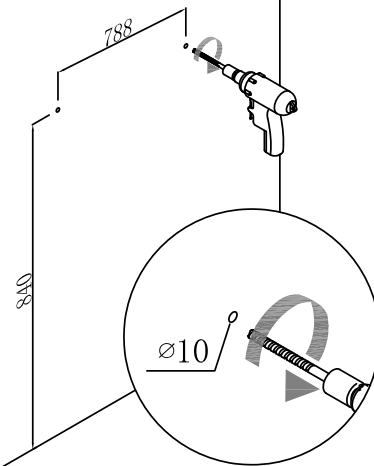
Step 8



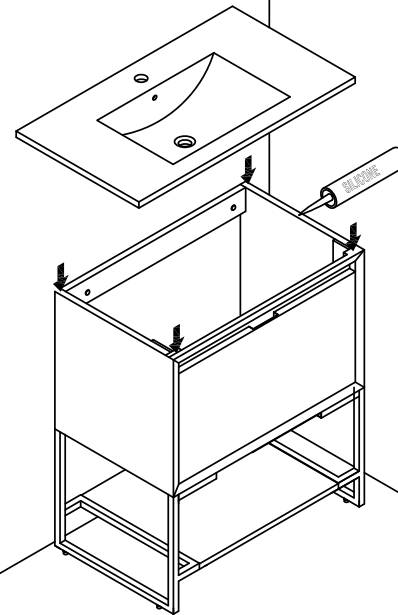
Step 5



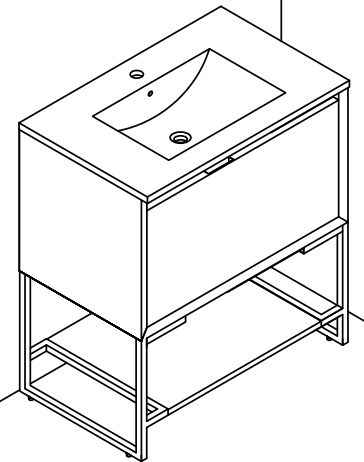
Step 6



Step 9



Finished



The main cabinet upside down

Page 3

Page 4