

**PAVEL UNDERMOUNT FLAT BOTTOM LAVATORY 20" X 16**

**UFB2016**

**Features**

- Dimensions
  - Outside - 20" x 16"
  - Inside - 17" x 12 7/8"
- 8" depth
- Vitreous china
- Overflow holes
- 1 ¼" O.D. waste
- Available in white
- Limited 2 Year Warranty



**Compliance Certifications**

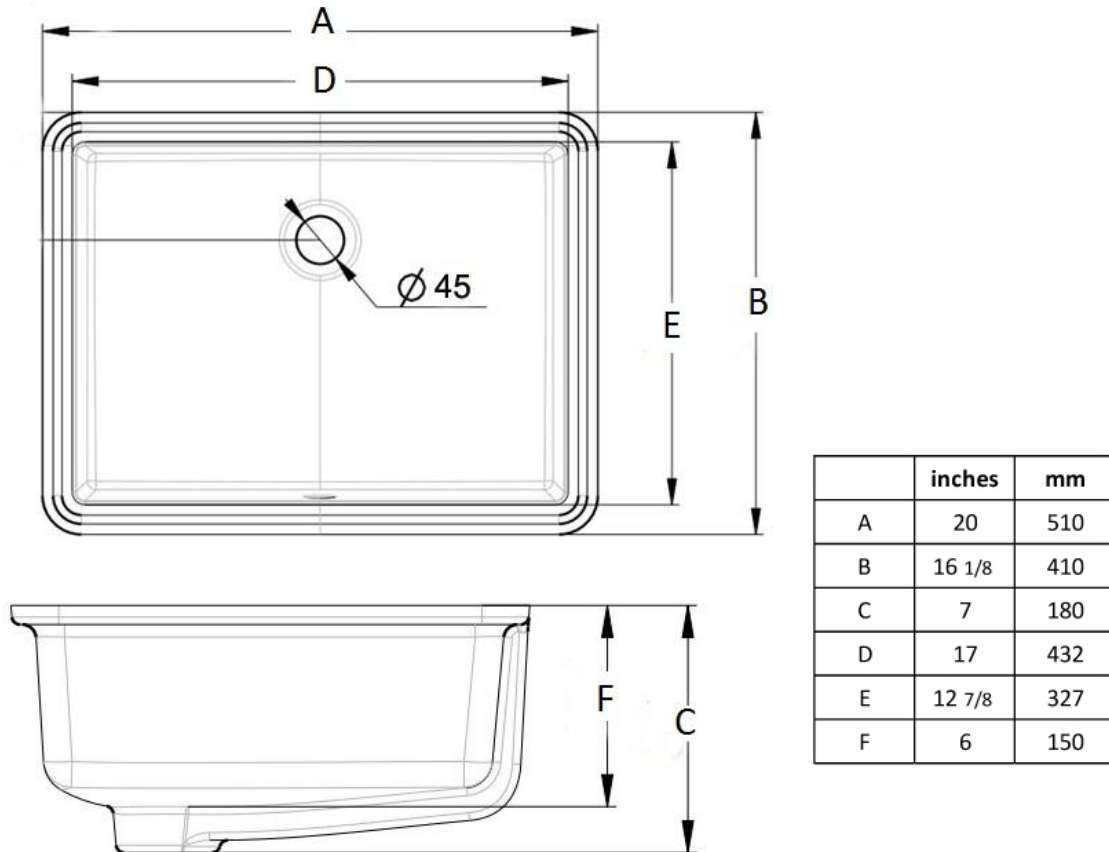
Specified model meets or exceeds the following:

ASME A112.19.2-2003 & IAPMO/ANSI UPC 1-2003  
CSA B45.0-02, B45.1-02 and B45S1-04



PAVEL UNDERMOUNT FLAT BOTTOM LAVATORY 20" X 16

UFB2016



**PLEASE NOTE:** Rough-in measurements may vary 1/4" (+ -).

The sink cut-out should be checked against the actual sink to determine the correct fit.

We recommend cutting the hole for the sink 3/4" x 3/4" smaller than the inside bowl dimensions.

Model Number	Description	Weight	Shipping Dimensions	Cubic Feet
UFB2016	PAVEL UNDERMOUNT FLAT BOTTOM LAVATORY 20" X 16			