

Quartz Top QT2225 with Undermount Sink

FEATURES

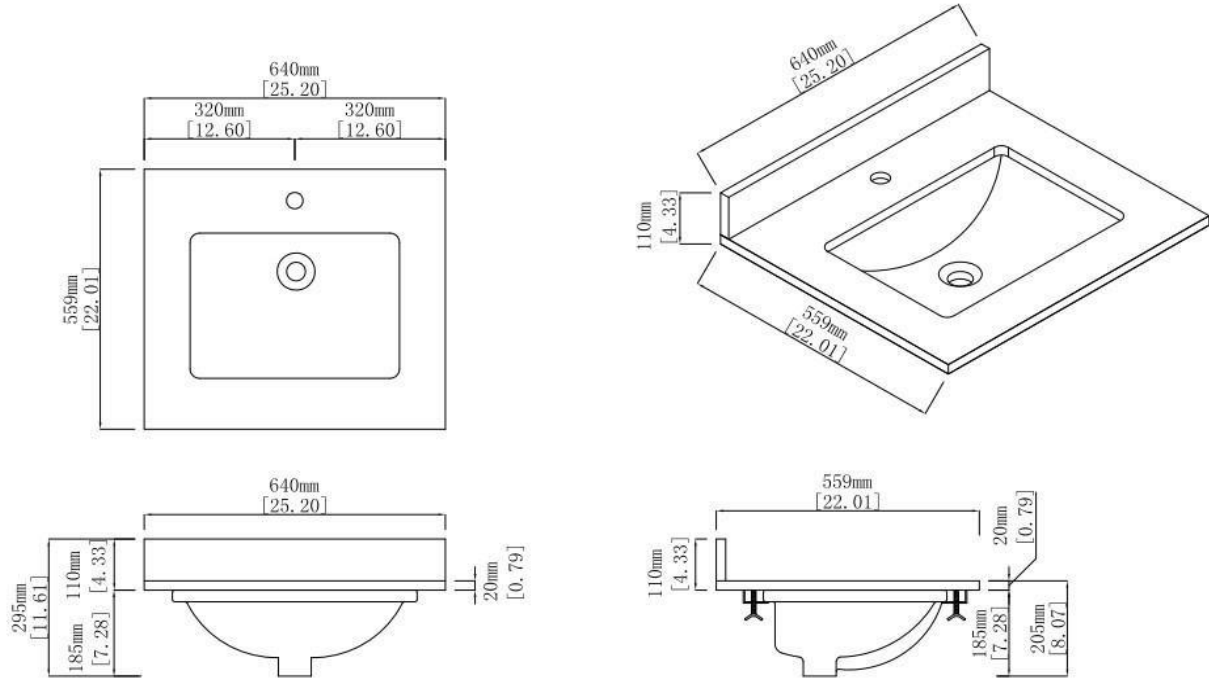
- Engineered Quartz
- Non-porous surface guards against mold and resists staining for low maintenance care
- Single hole faucet drilling
- 7.28 inch sink depth
- Vitreous China undermount sink, un-glazed rim
- Front overflow hole
- 1 ¾ O. D. Waste
- Available in Pure White
- Limited 2 year warranty
- .20 CBM, 23 KGS

COMPLIANCE CERTIFICATIONS

Specified model meets or exceeds the following:
ASME A112-19.2-2003 & IAPMO/ANSI UPC 1-2003
CSA B45.0-02, B45.1-0 AND B45S1-04



Specifications – Quart Top (includes sink)



Specifications – Undermount Sink

